

THE AWARD WINNING  
**TEMPEST TORCH™**

Gas Lamp by Travis Industries



made in the U.S.A.  
U.S. and Foreign Patents Pending



**TRAVIS INDUSTRIES**



THE AWARD WINNING  
**TEMPEST TORCH™**  
 Gas Lamps By Travis Industries



Breaking the barriers of standard torch design, Travis Industries proudly unveils the Tempest Torch™ - a dramatic outdoor gas lamp. The patent pending Tempest Torch creates a natural venturi without the use of electricity or a fan. This natural venturi effect causes the flame to spiral and dance within the tempered glass walls.

Created as an outdoor furnishing for a wide-array of exterior settings and applications, the display possibilities are nearly endless: outdoor living spaces, retail or business storefronts, front walkway pillars, mounted onto movable bases or featured on an exterior wall by an entry.

The Tempest Torch won Best Outdoor Room Furnishing and BEST OF SHOW for all Outdoor products at the 2007 Hearth, Patio and BBQ Expo. The Tempest Torch is manufactured by Travis Industries - North America's Largest Privately Owned Manufacturer of Hearth Products.

## Features

- BTU Input Max: 20,000 (NG & LP)
- Tempered glass
- Glass panels are easy to remove for cleaning
- Stainless steel construction
- Automatic gas shut off if flame goes out
- Easy access control panel
- Piezo igniter for easy lighting
- On/Off control
- US and Foreign Patents Pending
- Natural Gas or Propane models
- Rain Cap (optional to use)

## Options

The Tempest Torch comes as a standard base unit that includes gas valve, burner, igniter, glass panels and frame.

Customers have the option to install as :

- Wall Mount Base
- Short Post Base for entry columns (5" tall)
- Tall Post Base for application on wood deck or concrete base (surface mount or buried)
- Pedestal Patio Base (Movable)



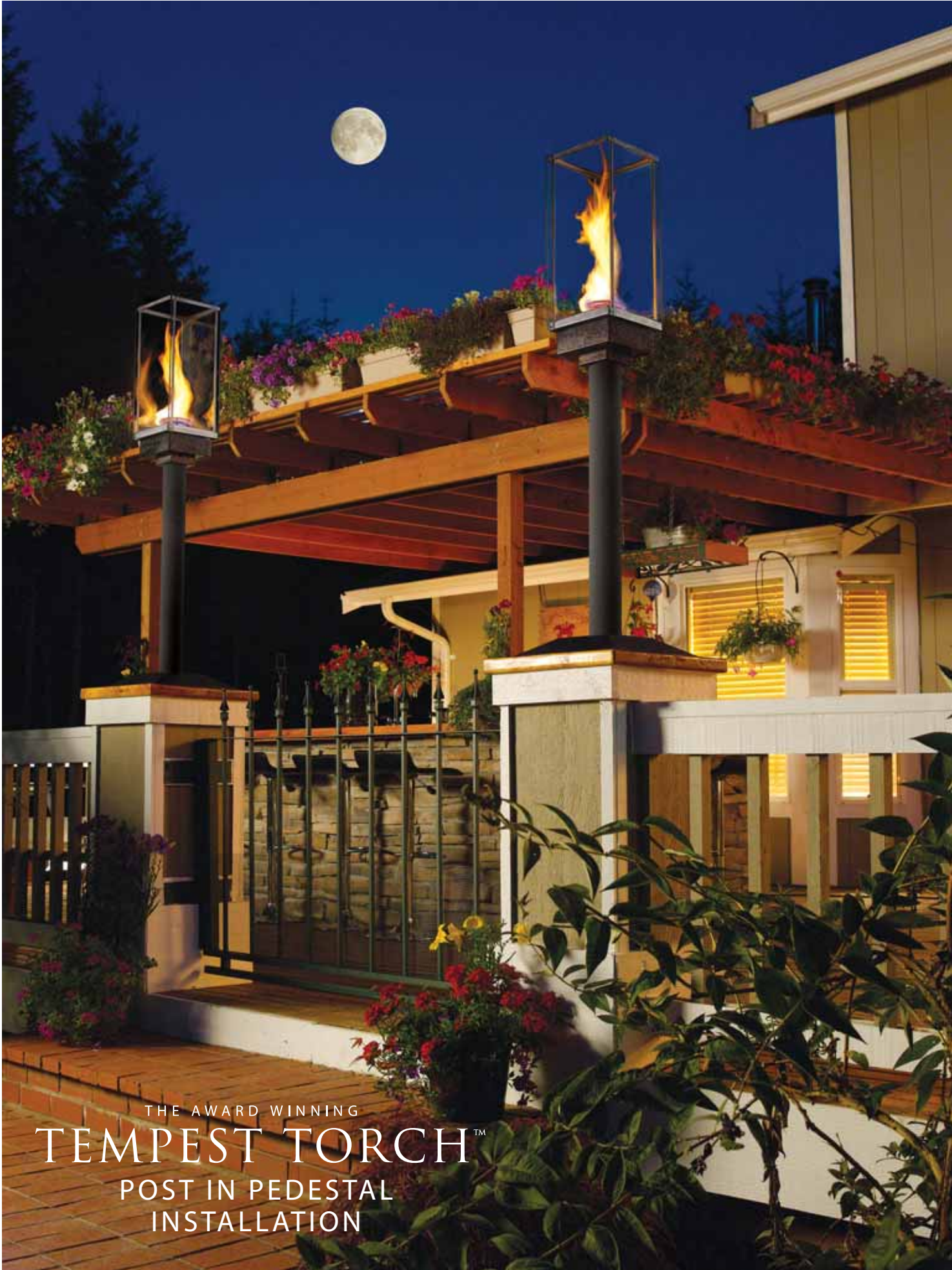
Easy access control panel with Piezo igniter for easy lighting and high to low flame control.

Gas Rating	NG	LP
Input Rating (Btu/h)	20,000	20,000
Orifice Size (DMS)	#50	#55
Burner Ports	25 Holes	49 Holes
Manifold Pressure	7" wc	11" wc
Max. Inlet Pressure	7" wc	11" wc

**For outdoor installation only.** If stored indoors, detach and leave cylinder outdoors (if applicable). The gas supply must be turned off at the LP-gas supply cylinder when this appliance is not in use (if applicable).

THE AWARD WINNING  
**TEMPEST TORCH™**  
PATIO BASE





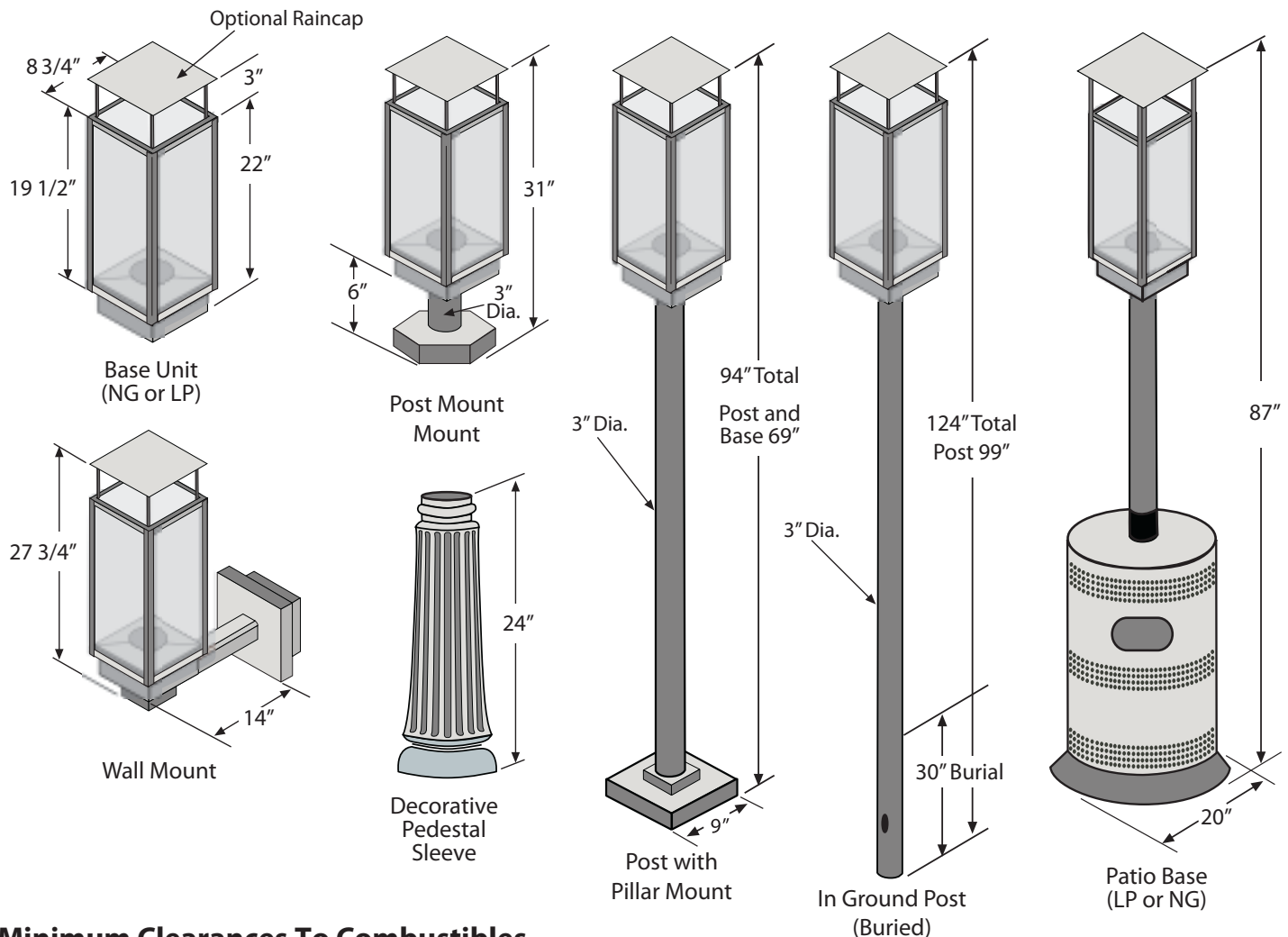
THE AWARD WINNING  
**TEMPEST TORCH™**  
POST IN PEDESTAL  
INSTALLATION



THE AWARD WINNING  
**TEMPEST TORCH™**  
WALL INSTALLATION

# THE AWARD WINNING TEMPEST TORCH™

Gas Lamps By Travis Industries



## Minimum Clearances To Combustibles

**Floor:** 2.5" combustible floor to bottom (base) of torch

**Walls:** 8" measured from glass surface **Ceiling:** 26" measured from the torch top (glass frame) with or without the cap.

(Refer to the Owner's Manual for further details)

## Testing

Applicable portions of ANSI Z21.42a-2004 "Illuminating Appliances", CAN 1-2.15, CSA 4.96 U.S. (3rd Ed) "Outdoor Gas Fireplace", and AGA 8-96, "Requirement for Gas-Fired Decorative Illuminating Appliances for Outdoor Installation."

**CAUTION:** When using an LP cylinder the gas pressure regulator provided with the post and base kit must be used. The regulator is set for an outlet pressure of 11" wc for LP.

**FOR YOUR SAFETY:** Do not store or use gasoline or other flammable vapors and liquids in the vicinity of this or any other appliance.

**WARNING:** Improper installation, adjustment, alteration, service or maintenance can cause injury or property damage. Refer to the owner's information manual provided with this appliance. For assistance or additional information consult a qualified installer, service agency or the gas supplier.



**TRAVIS INDUSTRIES**  
**HOUSE OF FIRE**

Mukilteo, WA 98275

www.tempesttorch.com